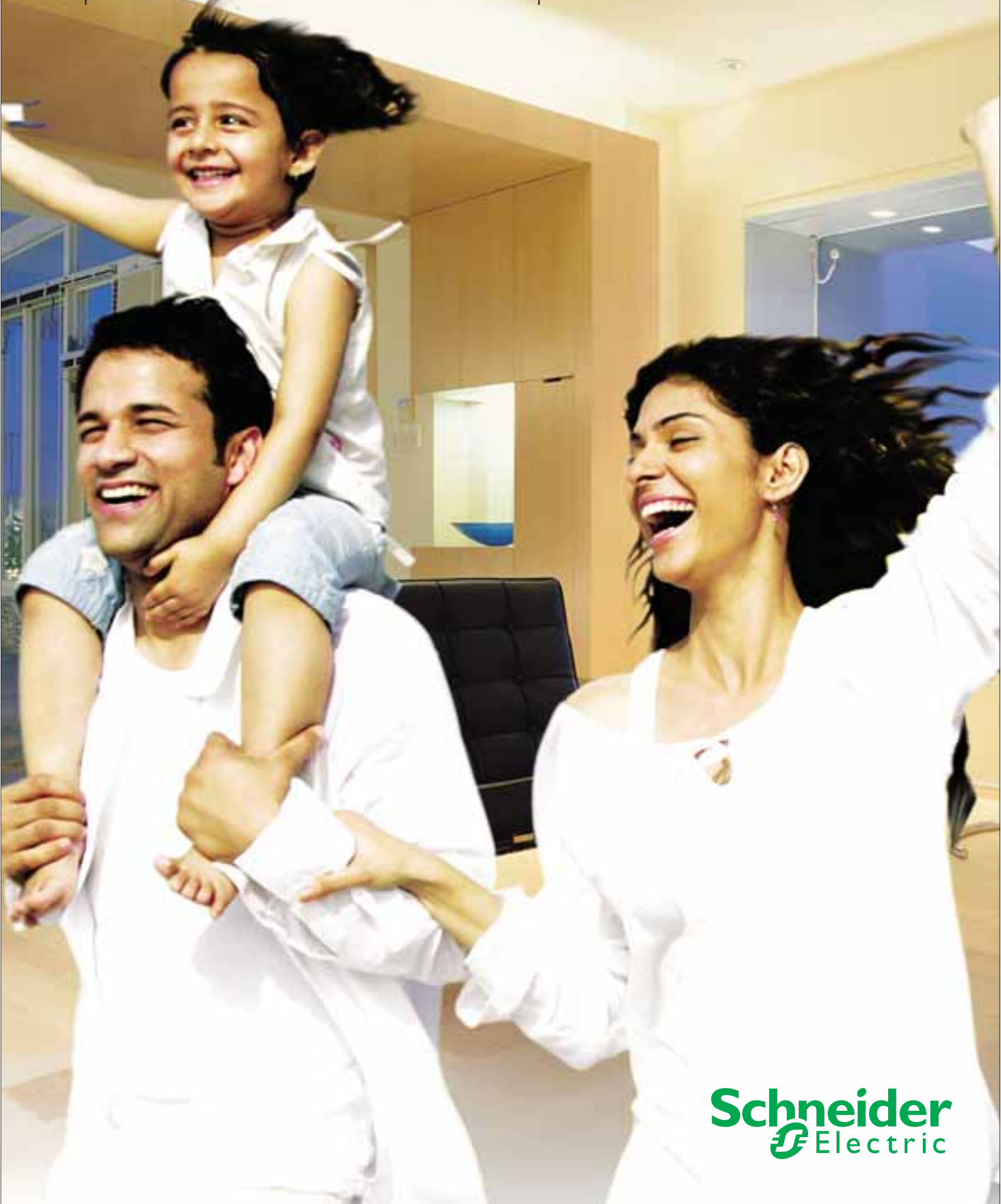


NeoBreak Distribution System MCBs, RCCBs & DBs

inspired innovation for round the clock protection



Schneider
Electric

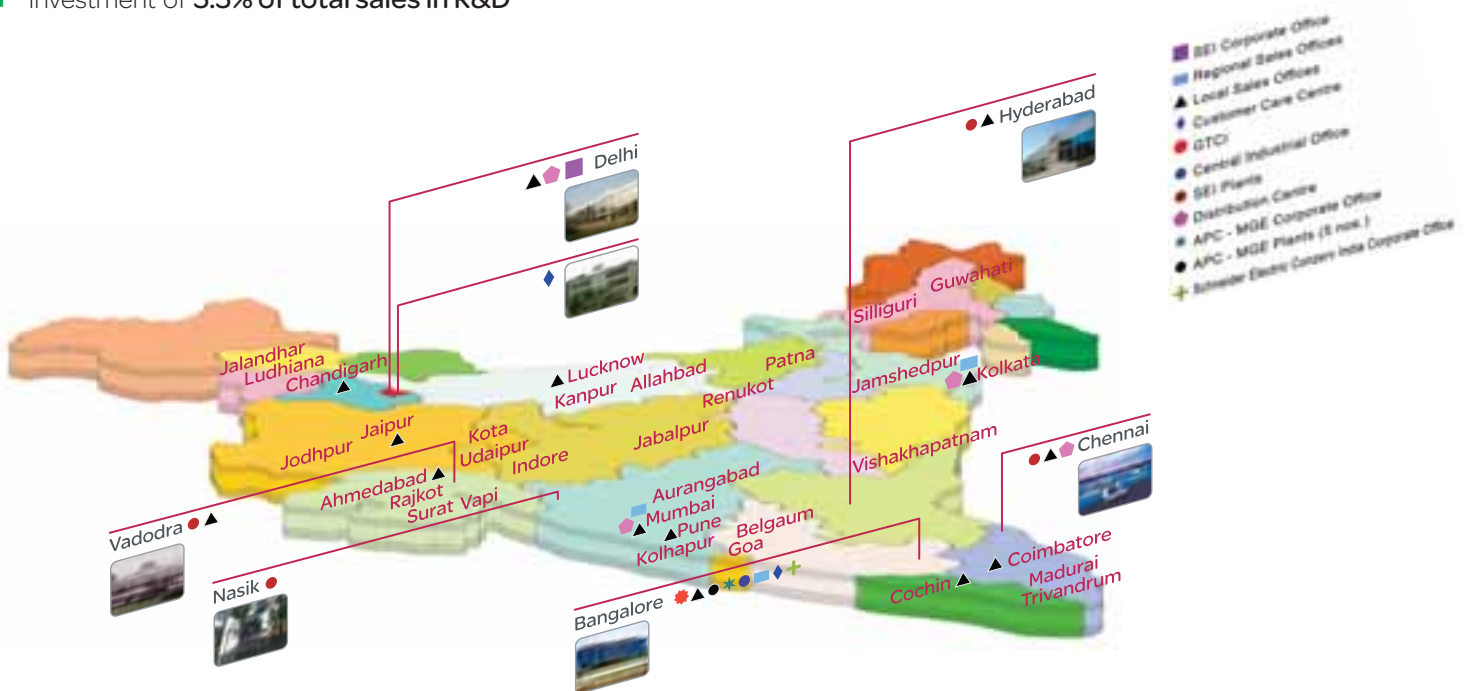
Schneider Electric India

As a global specialist in energy management with operations in more than 100 countries, Schneider Electric offers integrated solutions across multiple market segments, including leadership positions in energy and infrastructure, industrial processes, building automation, and data centres/networks, as well as a broad presence in residential applications. Focused on making energy safe, reliable, and efficient, the company's 114,000 employees achieved sales of more than 18.3 billion euros in 2008, through an active commitment to help individuals and organisations

“make the most of their energy™”.

Schneider Electric’s comprehensive solutions combine hardware, software, communication & services. As specialists in the management of electricity and automation, we are committed to converting electricity into smart energy that powers the way we work, live and play. Developing technologies, processes and solutions that are so simple, efficient and environment friendly that you forget they’re even there. We are making tomorrow’s world a better place to be in by providing safe, reliable, productive, efficient and green power.

- Global Specialist in Energy Management
- Presence in **100 + countries**
- Specialised workforce of **1,14,000 employees**
- Consolidated revenue worth **Euro 18.3 billion**
- **25 Research and development centres**
- Investment of **5.5% of total sales in R&D**





NeoBreak Distribution System

MCBs, RCCBs & DBs

With the changing electrical world, the ways of final low voltage distribution in Industrial ,commercial & residential sectors are also changing. As the demand for electricity is increasing, improved operating safeties, greater convenience with operating cost management are the prime needs. The NeoBreak range is **“inspired innovation for round the clock protection”**

Features at a glance

- Conforms to IS 8828 & IEC 60898-2
- 'B' & 'C' tripping characteristics , 0.5 to 63 A with 1P,1P+N, 2P, 3P, 4P
- 10kA Breaking capacity
- Current limiting class 3
- Line load reversibility
- Bi connect terminal suitable for Busbar as well as cable
- Isolation with positive contact indication
- Average suitable life greater then 20000 operation at rated current



Comprehensive range of NeoBreak MCBs RCCBs and Isolators.

NeoBreak MCBs

NeoBreak MCBs can be used to protect & to isolate circuits from overloads & short circuits. These are in compliance with the Indian & International standards.

IS 8828

IEC 60898-2

The Miniature circuit-breakers combine the following functions:

- protection of circuits against overloads
- protection of circuits against short-circuit currents
- isolation



Thermal Release

Under overload condition the bimetal strip deflects & subsequently trips the operating mechanism

Magnetic Release

In case of Short Circuit high current flows through the magnetic coil activates the plunger to strike operating mechanism.

Range

Curves	Rating	Pole	Breaking Capacity	Voltage
B	6 to 63A	1P,1P+N,2P,3P, 4P	10kA	230/415V
C	0.5 to 63A	1P,1P+N,2P,3P, 4P	10kA	230/415V

B curve

Under 'B' Characteristics the operating limits (for short circuit operation) are between 3 to 5 times the rated current

C Curve

Under 'C' Characteristics the operating limits (for short circuit operation) are between 5 to 10 times the rated current

High Performance Values

Total Safety

“All possible steps to avoid accidents.”

- The terminal screws are well recessed to avoid any unpleasant accidents. The terminals are "finger touch proof" and conforms to IP20 degree of protection.
- Positive contact indication ensures the state of the device (ON or OFF). NeoBreak range offers complete protection to the installer as well as to the user.

The conditions specified by IEC 60947-2 for this function are as follows:

- Positive contact indication
- Impulse withstand voltage
- Very low leakage current, checked after short circuit breaking capacity test (End of service life test) These characteristics considerably increase the dependability of Circuit Breaker & provides ultimate guarantee concerning user safety.

□ Isolation

NeoBreak MCB is completely suitable for Isolation as specified by IEC 60947-2/ IS 13947-2. Corresponding symbol is marked on the front face of MCB. It ensures complete electrical isolation of downstream circuits or the equipment when MCB is switched off.

□ Positive contact indication

The position of operating handle always indicates the real position of contacts inside the MCB. In a critical case of contacts welding, the operating handle does not indicates the OFF position & thus the consequences of serious accidents can be avoided.



□ IP 20 Protection

Prevents any electrical shock by accidental touch to any live part providing finger touch proof terminal.



High Performance Values

Ease of installation

“Simplify the art of fixing”

Following features gives ease of installation

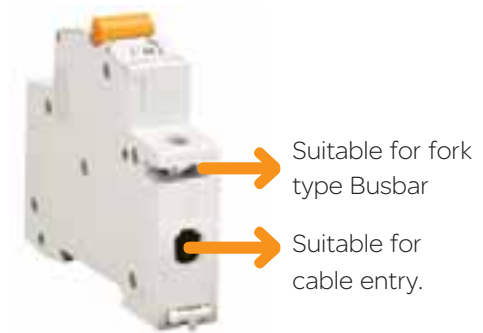
□ Line load reversibility

The line connections can be made either at top or bottom terminal without any risk of unsafe operations, thus providing ultimate flexibility.



□ Bi connect terminals

With this feature there is a choice to connect busbar and incomer cable simultaneously. This results in to elimination of looping and ensures firm connectivity.



□ Captive screw

This screw provides a flexibility of line cut and Pozidrive for use of any type of available screw driver.



□ Ease of mounting

Suitable for clip on mounting on a 35mm din rail



□ Large terminal screw

Terminal suitable for 35 sq. mm (Cu/Al) ensures perfect termination. Specially made for Indian conditions.



High Performance Values

Optimum Performance

“Full proof Protection”

Ensures the clearance of fault in less than half cycle



□ Energy limitation class 3

NeoBreak MCBs significantly limit the let through energy (when a fault occurs) due to **ultra fast contact separation technique** & quick quenching of emergency arc in the chamber.

Thus, these MCBs fall below the permissible limit I^2t value of energy limiting class 3 specified in standards. This gives guarantee of excellent discrimination with upstream current limiting devices.

All Schneider MCBs are current limiting type and comply to energy limiting class 3 as per IEC 60898.

Quality

“Degree of excellence”

Schneider Electric guarantees the very best in quality for the entire product range.

It complies with Indian standards: IS 8828 & the International standards: IEC 60898.

NeoBreak MCBs are subjected to additional safety tests over & above Indian standards. These test guarantees better & reliable performance of the device

All the manufacturing plants of Schneider Electric are ISO 9001 & ISO 14000.



User Friendly

“Ease of use”

□ Innovative design with new look

NeoBreak MCB are made of modern engineering thermoplastic material. It suits well to the modern architectural surroundings without compromising the principle need of protection and safety.

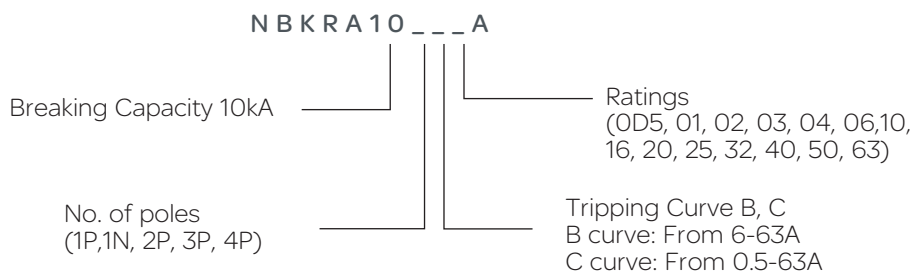


□ Ease of identification

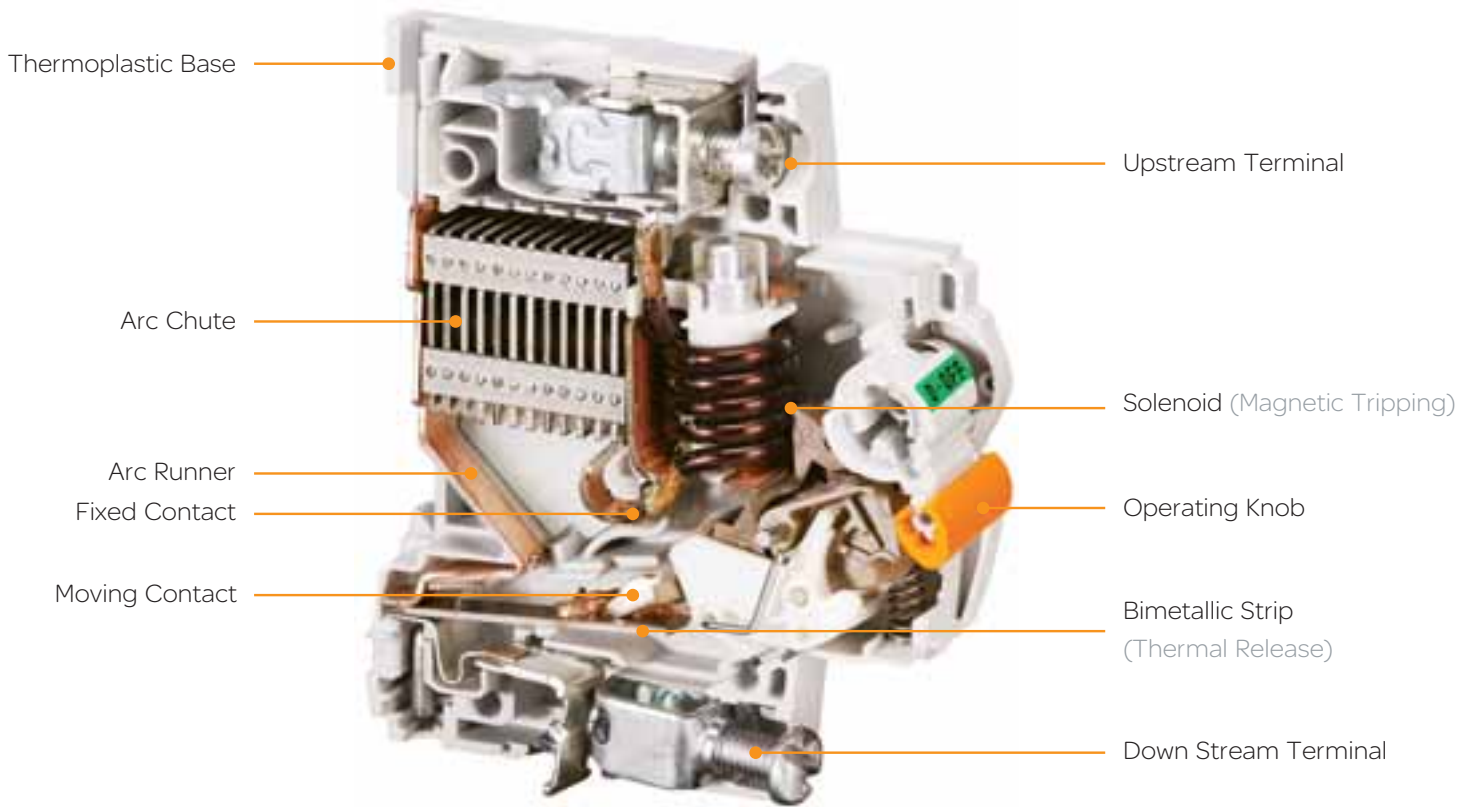
All required information about the product is clearly visible from front.



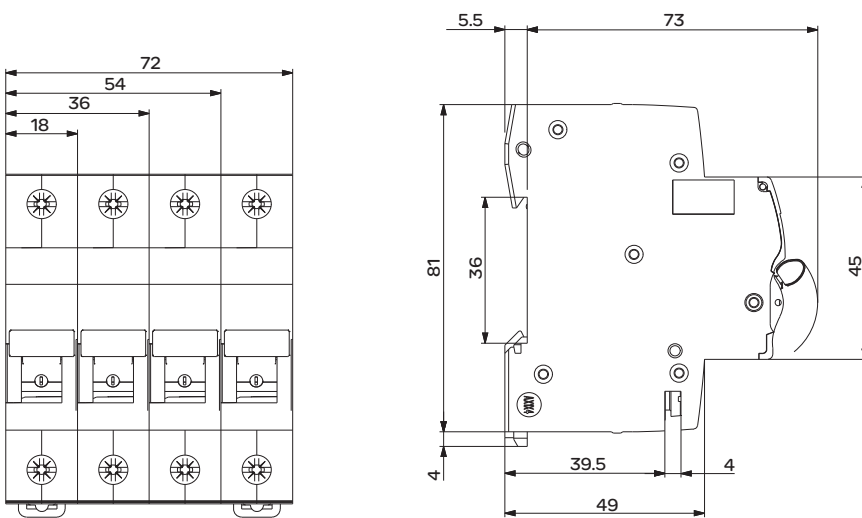
Easy reckoner for references



Internal construction of MCB



Dimensions



Technical Data:

No of poles	Specifications
1P,1P+N,2P,3P,4P	IEC 60898, IS 8828

Electrical Characteristics:

Current Rating (A)	0.5 to 63
Voltage Rating (V)	230/415V
Frequency (HZ)	50/60
Short Circuit Breaking Capacity (kA)	10
Tripping Characteristics	B curve-Magnetic release operates between 3-5 I _n
	C curve-Magnetic release operates between 5-10 I _n
Rated insulation voltage (V)	600
Rated impulse voltage (kV)	4

Power Loss

Range of rated current (A)	Maximum power loss as per standards (W)	NeoBreak MCB (W)
I _n ≤ 10	3.0	2.0
10 < I _n ≤ 16	3.5	2.6
16 < I _n ≤ 25	4.5	3.0
25 < I _n ≤ 32	6.0	3.5
32 < I _n ≤ 40	7.5	4.6
40 < I _n ≤ 50	9.0	4.5
50 < I _n ≤ 63	13.0	5.5

Mechanical Characteristics

Ambient temperature	(-5°C to 45°C)
No of operating cycles	20000

Installation & Connection

Connection	25mm ² < 32A
	35mm ² > 32A
Mounting	Clip on DIN Rail (35mm)

Weight(gms)

1P	2P	3P	4P
110	220	340	450



Tripping Characteristics

B and C characteristics as per IS 8828 and IEC 60898.

'B' Characteristics

'B' Characteristics are used for protection of electrical circuits with resistive nature of loads like lighting circuits, heater circuits apart from protection of cable & line protection.

- Short circuit currents are factory set between $3 I_n$ and $5 I_n$

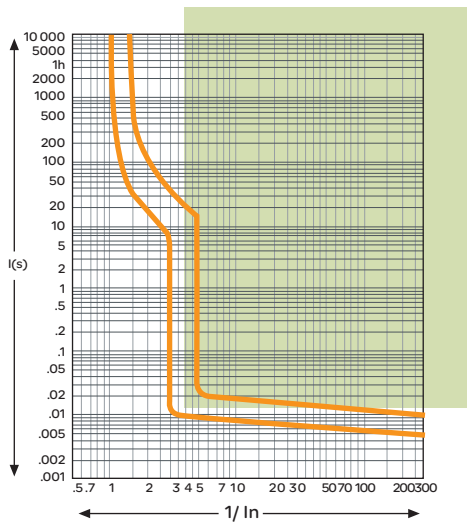
'C' Characteristics

'C' characteristic MCBs are used for protection of electrical circuits with inductive & capacitive nature of loads like Air conditioner, Refrigerator, Compressor etc, apart from protection of cables & line protection.

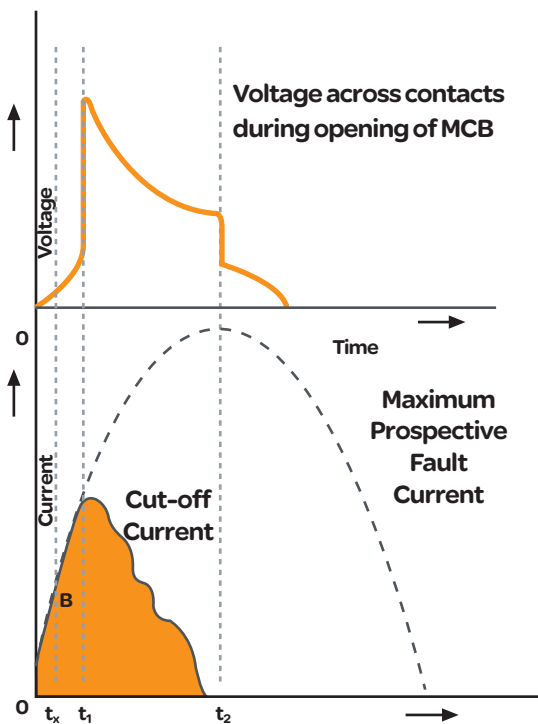
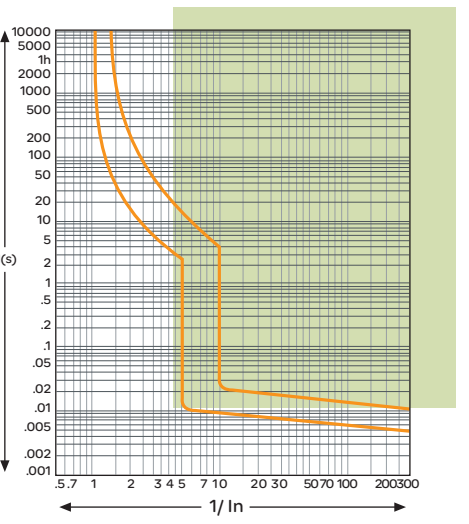
This characteristic allows loads with peak current without requiring the MCBs to be oversized, in fact it is possible to apply loads with peak currents up to 5 times of rated current & hence can be used for handling higher inrush current applications.

- Short circuit currents are factory set between $5 I_n$ and $10 I_n$

B Characteristics



C Characteristics



Current limitation Curve

The current limitation Curve design of the circuit breaker ensures the clearance of fault in less than half cycle.

The figure shows the current limitation curve effect of a circuit breakers.

- 0 = Point of Initiation
- t_x = Contact opening time (i.e. creation of arc)
- t_1 = Current / Voltage peak (i.e., current limitation)
- t_2 = Time to total extinction of arc (i.e., complete shutdown of fault current)

NeoBreak Isolators

NeoBreak Isolators can be used for electrical switching & isolation. These are in compliance with the Indian & International standards.

IS : 13947-3

IEC : 60947-3

The Isolator combine the following functions

- Opening and closing of on-load circuits
- Manual Dis-connection

Range

Current rating	Voltage rating	No of poles
40,63,80 Amp	240/415 V	1P, 2P, 3P, 4P



References

1 Pole



Rating	References
40	NBKRDO01PI40
63	NBKRDO01PI63

2 Pole



Rating	References
40	NBKRDO02PI40
63	NBKRDO02PI63
80	NBKRDO02PI80

3 Pole



Rating	References
40	NBKRDO03PI40
63	NBKRDO03PI63

4 Pole



Rating	References
40	NBKRDO04PI40
63	NBKRDO04PI63
80	NBKRDO04PI80

NeoBreak RCCBs

The basic need of every individual is food, clothing & shelter but today, the use of electricity has also become an integral part. Using electricity has become so common, that we tend to forget that it could be hazardous. Majority of the industrial & domestic fires are due to damaged insulation or loose termination, which invariably cause leakage of current & subsequent sparks, resulting into a electrical fire.

NeoBreak RCCBs are used to protect against hazardous & harmful effects of Earth Leakage currents. These RCCBs are capable of detecting earth leakage currents & isolating the faulty line.

Residual current circuit-breakers ensure:

- the isolation of electrical circuits
- the protection of persons against direct and indirect contacts
- the protection of installations against insulation faults.

They comply to following standards

IS 12640

IEC 61008



Risk involved

The flow of current through electrical facility always involves risks. Poorly insulated apparatus, faulty wires or incorrect use of an electrical device causes current to flow through the wrong path (through insulation to the earth).

This current is nothing but the leakage current. Leakage current involves Two major risks.

- Risk of Fire
- Risk of Electrocutation

Risk of Fire

“A 100/300 mA RCCB is recommended against protection of fire”

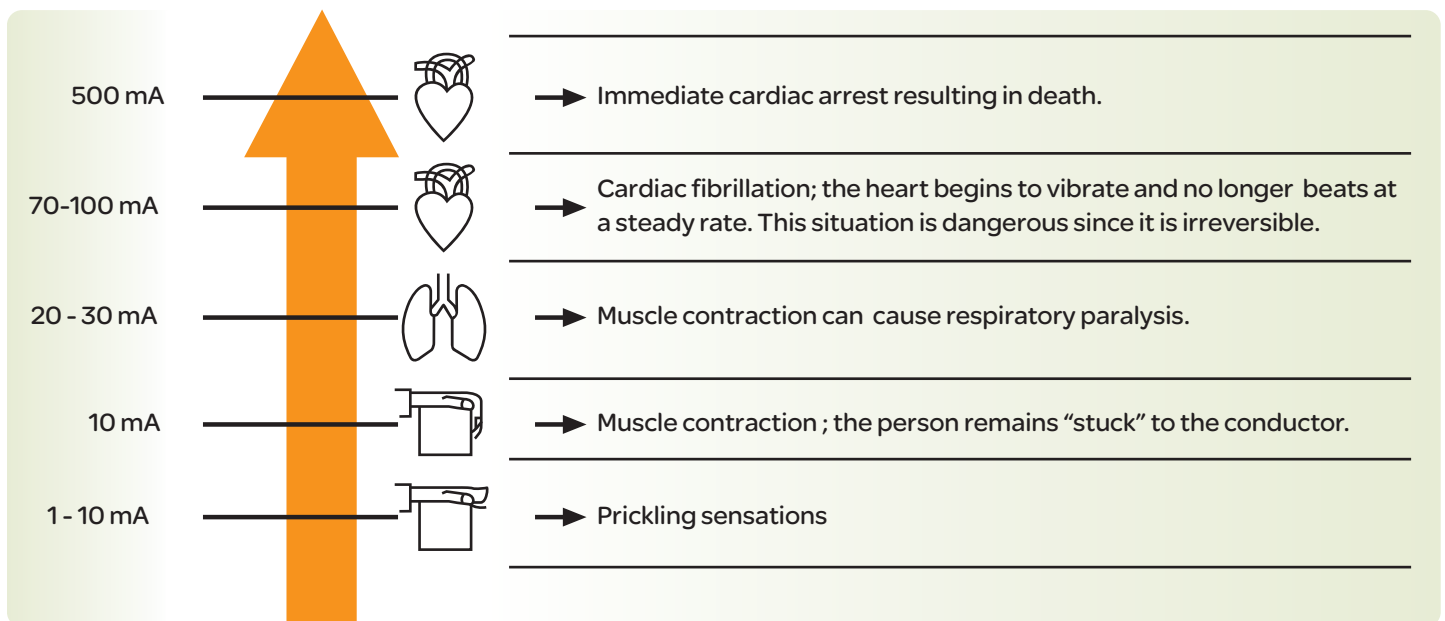
A poorly insulated wire or a loose connection is enough to create fire hazard: a portion of the current which normally flows in the conductor can find a way back to the earth through these "leakages", and through materials with varying degrees of conductivity (metal frames, wet dust, etc.) These materials are not intended to conduct current, and may heat up to such a degree that they will set fire to whatever they are in contact with (insulation, saw dust, etc.). This phenomena will ignite a spark and subsequent fire.

Risk of Electrocutation

“30 mA RCCB is recommended to provide protection against Electrocutation”

Electrocutation is the passage of current through human body, which is dangerous to human life. The flow of current through human body can effect **Cardiac fibrillation** as elaborated below.

Effect of electric current through human body has been well researched and following chart summarizes the results:



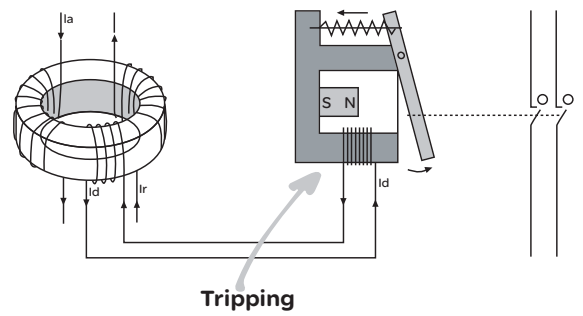
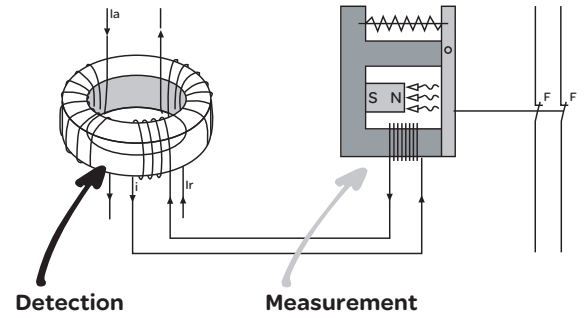
However, electrocution should not be viewed in terms of "current" alone but in terms of "contact voltage" also. A person gets electrocuted by coming in contact with an object that has a different potential from his/her own. This difference in potential causes the current to flow through the body.

The human body has known limits:

- Under normal dry conditions ,voltage limit= 50V
- In damp surroundings, voltage limit = 25V
- 30 mA is considered to be the allowable maximum current that will not cause irreversible harm.

Operating Principle

- They have a residual current operated electromechanical release which operates without any auxiliary source of supply to open a circuit automatically in the case of an earth leakage fault between phase and earth greater than or equal to a threshold of 30, 100 or 300mA.
- They are set to trip at a maximum value called a "threshold" or sensitivity level which is measured in milliamps. The maximum values coincide with the safety limits for the human body or for preventing fires.
- Positive contact indication and trip indication are provided on the front face by red flag indicator.



Protection of People

A 30 mA RCCBs will trip instantly when it detects fault current greater than or equal to 30 mA. All risk of serious electrocution is avoided. The 30 mA unit provides protection against direct contact.

This is referred to as "*Protection of People*".



Protection of Property

The consequences of the flow of fault currents through inappropriate materials may be limited by systematically using detection devices set to 100 or 300 mA.

These devices are capable of detecting any earth leakage current greater than 100/ 300 mA. All risk of fire is avoided.

This is referred to as "*Protection of Property*".



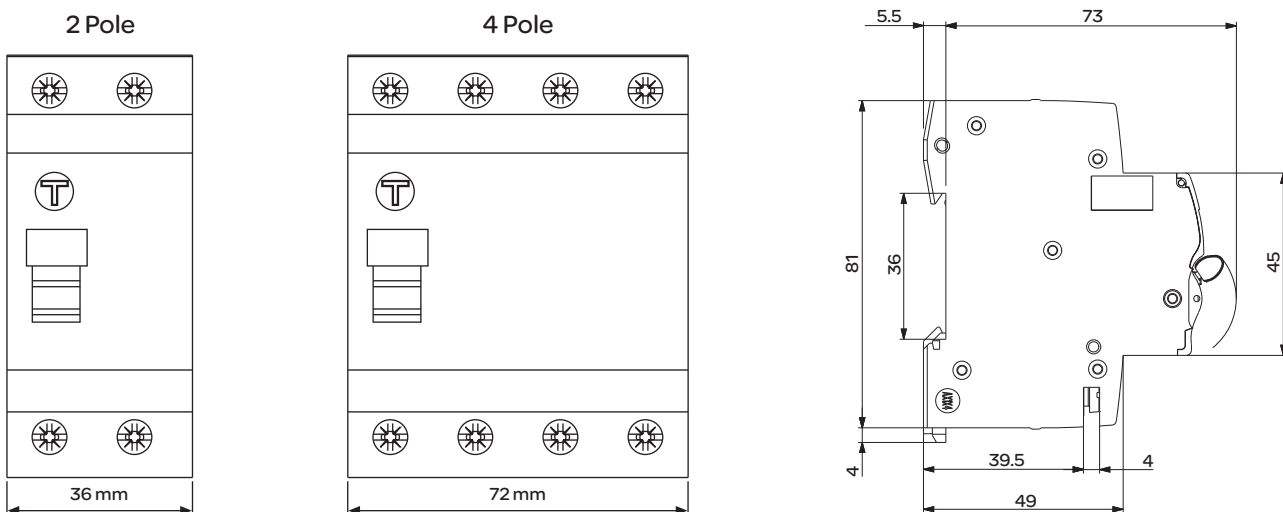
Range

Poles	Rating	Sensitivity
2P	25,40,63	30,100,300
4P	25,40,63	30,100,300



Technical Data:

Specification	IS 12640
Current rating	25,40,63 Amp
Current Sensitivity	30,100,300mA
Frequency	50Hz
Voltage rating	230/415V
Insulation Voltage(Ui)	440V
Impulse withstand voltage(Uimp)	4kV
Short Circuit withstand capacity	3kA
Residual making breaking capacity	500A/10*In
Ambient temp	-5° to 40°
Electrical Operations	5000
Degree of Protection	IP 20
Pollution Degree	3
Test button	On front
Terminal capacity	Up to 35 sq mm

Dimensions



References

	Rating	Sensitivity	Reference
2 Pole 	25	30	NBKRB225030CA
		300	NBKRB225300CA
	40	30	NBKRB240030CA
		100	NBKRB240100CA
	63	300	NBKRB240300CA
		30	NBKRB263030CA
4 Pole 	25	30	NBKRB425030CA
		300	NBKRB425300CA
		30	NBKRB440030CA
	40	100	NBKRB440100CA
		300	NBKRB440300CA
		30	NBKRB463030CA
	63	100	NBKRB463100CA
		300	NBKRB463300CA

NeoBreak family



NeoBreak Distribution Boards

Unique Design Features

❑ Zero Error Installation

The DB frame eliminates the probability of error occurring in flush mounting installation

Benefits:

- Reduction in installation time.
- Increase in mounting accuracy.

❑ Cement Spill Protector (CSP)

The CSP ensures no dust or cement particles will enter DBs during the construction period at site. The installation guidelines are mentioned elaborately on CSP.

Benefits:

- No accumulation of dust / cement particle inside the DBs
- The probable damage of the door is avoided.

❑ Independent Intermittent Shield

The shield of the DB can be removed without the removal of the door.

Benefits:

- Maintenance friendly design

❑ Ingress protection levels

Degree of protection (IP) ensures the protection of the enclosure against dust and water. NeoBreak DBs are designed as per IP 43 for double door and IP 30 for single door.

Benefits:

- Total protection against dust and water particles



NeoBreak Distribution Boards

SPN DB

Reference	Total Capacity in mod* width	Description
NBKRENSNDD04	4	SPN 4 way DD NeoBreak DB
NBKRENSNDD06	6	SPN 6 way DD NeoBreak DB
NBKRENSNDD08	8	SPN 8 way DD NeoBreak DB
NBKRENSNDD12	12	SPN 12 way DD NeoBreak DB
NBKRENSNDD16	16	SPN 16 way DD NeoBreak DB
NBKRENSNSD04	4	SPN 4 way SD NeoBreak DB
NBKRENSNSD06	6	SPN 6 way SD NeoBreak DB
NBKRENSNSD08	8	SPN 8 way SD NeoBreak DB
NBKRENSNSD12	12	SPN 12 way SD NeoBreak DB
NBKRENSNSD16	16	SPN 16 way SD NeoBreak DB

Single door



Double Door



TPN DB

Reference	I/C Capacity in mod* width	O/G Capacity per phase in mod* width	Description
NBKRENTHDD04	4	4	TPN 4 way DD NeoBreak DB
NBKRENTHDD06	4	6	TPN 6 way DD NeoBreak DB
NBKRENTHDD08	4	8	TPN 8 way DD NeoBreak DB
NBKRENTHDD12	4	12	TPN 12 way DD NeoBreak DB
NBKRENTHSD04	4	4	TPN 4 way SD NeoBreak DB
NBKRENTHSD06	4	6	TPN 6 way SD NeoBreak DB
NBKRENTHSD08	4	8	TPN 8 way SD NeoBreak DB
NBKRENTHSD12	4	12	TPN 12 way SD NeoBreak DB

Single door



Double Door



Vertical DBs

Reference	Total Capacity in mod* width	Description
NBKRENTVDD04	12	Vert TPN 4 way DD NeoBreak DB
NBKRENTVDD08	24	Vert TPN 8 way DD NeoBreak DB
NBKRENTVDD12	36	Vert TPN 12 way DD NeoBreak DB
NBKRENTVSD04	12	Vert TPN 4 way SD NeoBreak DB
NBKRENTVSD08	24	Vert TPN 8 way SD NeoBreak DB
NBKRENTVSD12	36	Vert TPN 12 way SD NeoBreak DB

Single door



Double Door



NeoBreak Distribution Boards

Electra Plug & Socket DBs

Reference	Total Capacity in mod* width	Description
NBKRENPSSP10	1	10A SP P&S DB NeoBreak DB
NBKRENPSSP20	1	20A SP P&S DB NeoBreak DB
NBKRENPSSN20	2	20A SPN P&S DB NeoBreak DB
NBKRENPSTP20	3	20A TP P&S DB NeoBreak DB
NBKRENPSTP30	3	30A TP P&S DB NeoBreak DB



Metal Enclosures

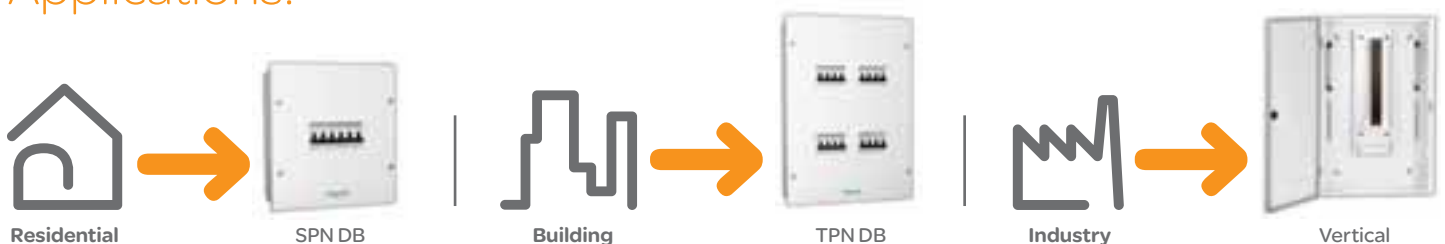
Reference	Total Capacity in mod* width	Description
NBKPM1	1	1 way NeoBreak Metal Enclosure
NBKPM2	2	2 way NeoBreak Metal Enclosure
NBKPM3	3	3 way NeoBreak Metal Enclosure
NBKPM4	4	4 way NeoBreak Metal Enclosure



Product Range At A Glance

Product	I/C Current Rating	Incomer	Outgoing
SPN DB	upto 63A	SPN/DP	SP MCB
TPN DB	upto 100A	TP/TPN/FP	SP MCB
Vertical DB with MCB I/C	upto 100A	8 Module MCB	SP/TP MCB

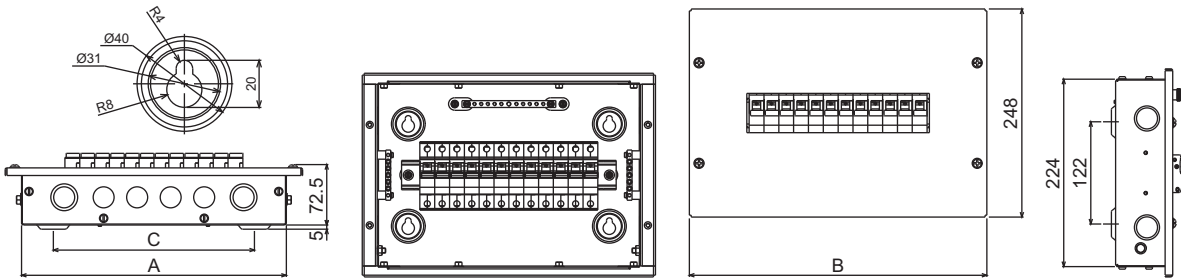
Applications:



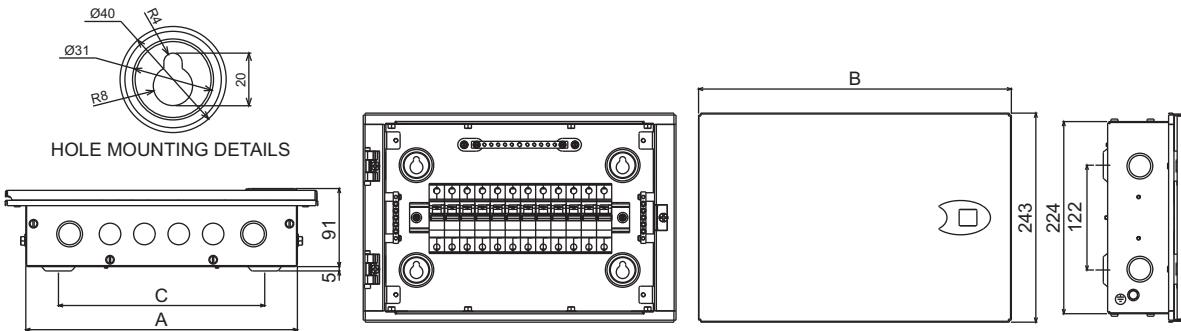
* Phase Selector DB
available on request

Dimensions: SPN DBs

Single Door



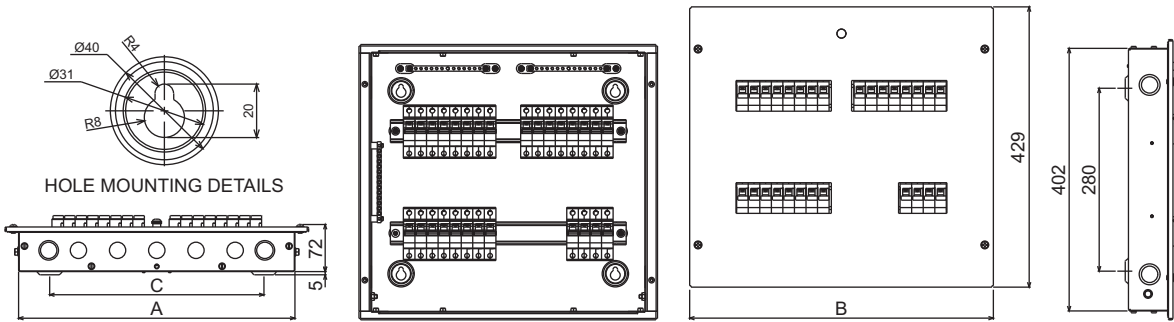
Double Door



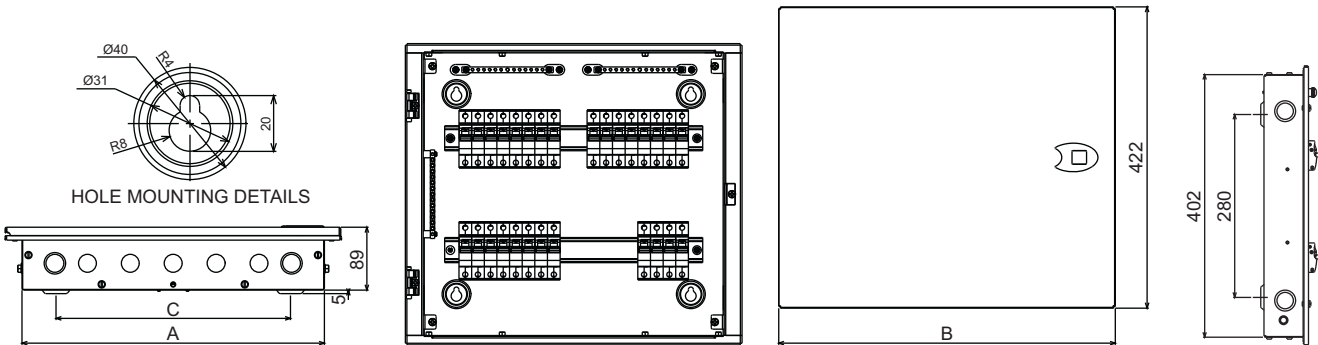
NeoBreak-SPN-Single Door										
Sl.No.	Cat. No.	No. of ways	A	B	C	Top		Bottom		Sides
						Ø 32 Knock out	Ø 25 Knock out	Ø 32 Knock out	Ø 25 Knock out	Ø 32 Knock out
1	NBKRENSNSD04	4	172	214	96	2 nos.	0	2 nos.	0	2nos.
2	NBKRENSNSD06	6	208	250	132	2 nos.	1 no.	2 nos.	1 no.	2nos.
3	NBKRENSNSD08	8	244	286	168	2 nos.	2 nos.	2 nos.	2 nos.	2nos.
4	NBKRENSNSD12	12	316	358	240	2 nos.	3 nos.	2 nos.	3 nos.	2nos.
5	NBKRENSNSD16	16	388	430	312	2 nos.	4 nos.	2 nos.	4 nos.	2nos.
NeoBreak-SPN-Double Door										
1	NBKRENSNDD04	4	172	220	96	2 nos.	0	2 nos.	0	2nos.
2	NBKRENSNDD06	6	208	256	132	2 nos.	1 no.	2 nos.	1 no.	2nos.
3	NBKRENSNDD08	8	244	292	168	2 nos.	2 nos.	2 nos.	2 nos.	2nos.
4	NBKRENSNDD12	12	316	364	240	2 nos.	3 nos.	2 nos.	3 nos.	2nos.
5	NBKRENSNDD16	16	388	436	292	2 nos.	4 nos.	2 nos.	4 nos.	2nos.

Dimensions: TPN DBs

Single Door



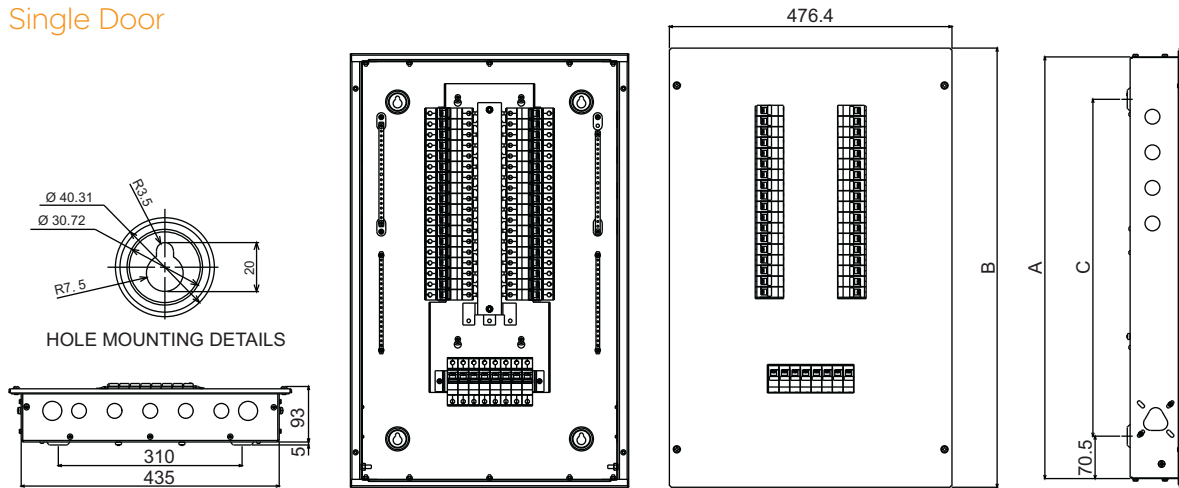
Double Door



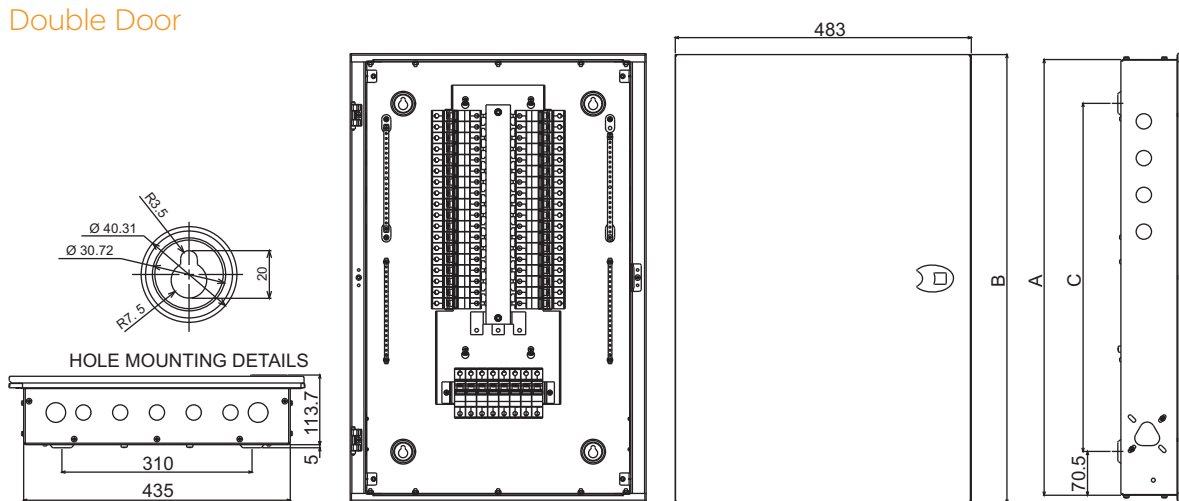
NeoBreak-TPN-Single Door										
Sl.No.	Cat. No.	No. of ways	A	B	C	Top		Bottom		Sides
						Ø 32 Knock out	Ø 25 Knock out	Ø 32 Knock out	Ø 25 Knock out	Ø 32 Knock out
1	NBKRENTHSD04	4	279	321	154	2 nos.	2 nos.	2 nos.	2 nos.	2nos.
2	NBKRENTHSD06	6	351	393	226	2 nos.	4 nos.	2 nos.	4 nos.	2nos.
3	NBKRENTHSD08	8	423	465	298	2 nos.	5 nos.	2 nos.	5 nos.	2nos.
4	NBKRENTHSD12	12	577	619	452	2 nos.	7 nos.	2 nos.	7 nos.	2nos.
NeoBreak-TPN-Double Door										
1	NBKRENTHDD04	4	279	327	154	2 nos.	2 nos.	2 nos.	2 nos.	2nos.
2	NBKRENTHDD06	6	351	399	226	2 nos.	4 nos.	2 nos.	4 nos.	2nos.
3	NBKRENTHDD08	8	423	471	298	2 nos.	5 nos.	2 nos.	5 nos.	2nos.
4	NBKRENTHDD12	12	577	625	452	2 nos.	7 nos.	2 nos.	7 nos.	2nos.

Dimensions: Vertical DBs

Single Door



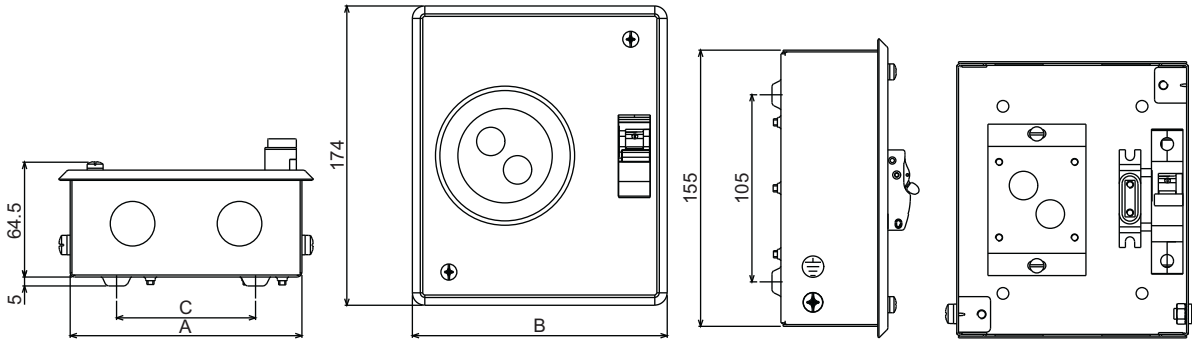
Double Door



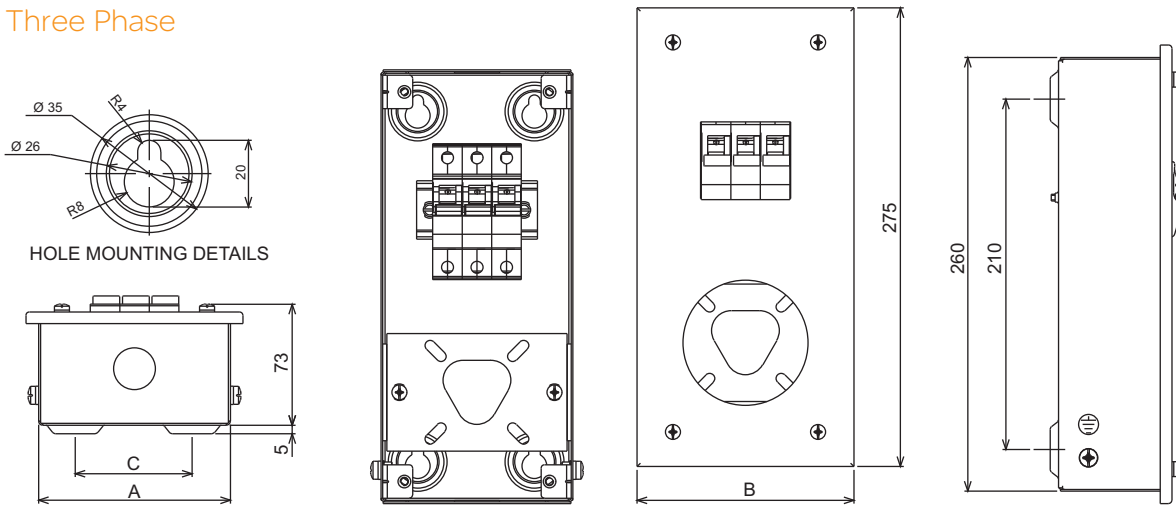
NeoBreak-VTPN-Single Door										
Sl.No.	Cat. No.	No. of ways	A	B	C	Top		Bottom		Sides
						Ø 32	Ø 25	Ø 32	Ø 25	Ø 25
						Knock out	Knock out	Knock out	Knock out	Knock out
1	NBKRENTVSD04	4	495.5	527	353.5	2 nos.	5 nos.	2 nos.	5 nos.	4nos.
2	NBKRENTVSD08	8	602.5	634	461.5	2 nos.	5 nos.	2 nos.	5 nos.	4nos.
3	NBKRENTVSD12	12	709	741	568	2 nos.	5 nos.	2 nos.	5 nos.	4nos.
NeoBreak-VTPN-Double Door										
1	NBKRENTVDD04	4	495.5	517	353.5	2 nos.	5 nos.	2 nos.	5 nos.	4nos.
2	NBKRENTVDD08	8	602.5	624.5	461.5	2 nos.	5 nos.	2 nos.	5 nos.	4nos.
3	NBKRENTVDD12	12	709	731	568	2 nos.	5 nos.	2 nos.	5 nos.	4nos.

Dimensions: Electra Plug & Socket DBs

Single Phase



Three Phase



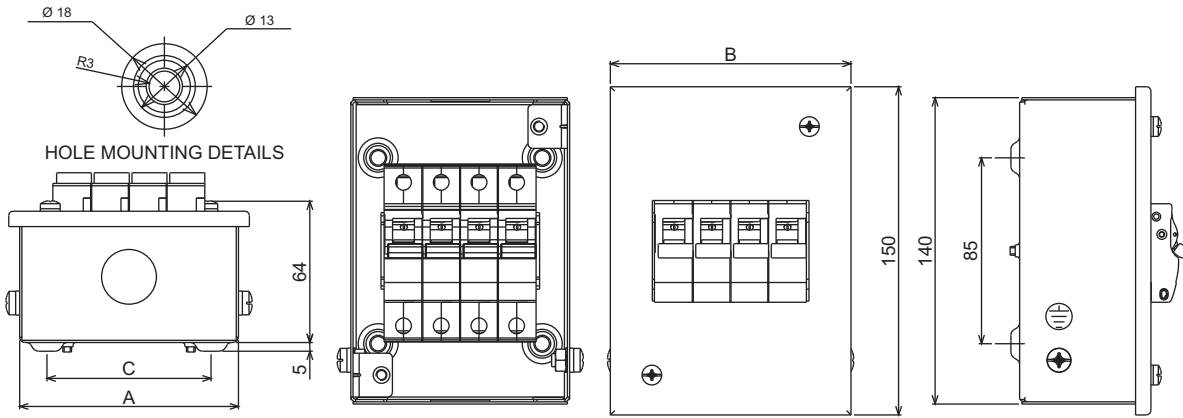
NeoBreak-Single Phase-Plug & Socket

Sl.No.	Cat. No.	No. of ways	A	B	C	Top	Bottom
						$\varnothing 25$ Knock out	$\varnothing 25$ Knock out
1	NBKRENPS SP10	1	130	150	78	2 nos.	2 nos.
3	NBKRENPS SP20	1	130	150	78	2 nos.	2 nos.
4	NBKRENPS SN20	2	130	150	78	2 nos.	2 nos.

NeoBreak-Three Phase-Plug & Socket

1	NBKRENPS TP20	3	115	130	70	1 no.	1 no.
2	NBKRENPS TP30	3	115	130	70	1 no.	1 no.

Dimensions: Metal Enclosures DBs



NeoBreak-METAL ENCLOSURE

Sl.No.	Cat. No.	No. of ways	A	B	C	Top	Bottom
						$\varnothing 25$ Knock out	$\varnothing 25$ Knock out
1	NBKPM1	1	60	74	0	1 no.	1 no.
2	NBKPM2	2	60	74	0	1 no.	1 no.
3	NBKPM3	3	100	110	55	1 no.	1 no.
4	NBKPM4	4	100	110	55	1 no.	1 no.



Other product offered by Schneider Electric for Complex distribution solutions Multi 9 range :

- MCBs
- RCCBs
- RCBOs
- RCD Modules
- Surge Protection Device
- Modular Contactors
- Time Switches
- Measurement and Indication Products
- Industrial Plug & Socket
- Kaedra Distribution Systems
- DBs

For more information on above products kindly contact nearest Schneider Electric office

Designed to provide exceptional reliability in electrical installation





For more information visit our website at: www.schneider-electric.co.in

Schneider Electric India Pvt. Ltd. (A 100% subsidiary of Schneider Electric Industries SAS)

Corporate office: A-29, Mohan Co-operative Industrial Estate, New Delhi-110044. Tel: 011-39404000. Fax: 41678010/11

Customer Care Centre: MTNL/BSNL toll-free :1800 111 341, Airtel toll-free : 1800 103 0011,

General numbers: 011-41682434/35, email : in-care@in.schneider-electric.com